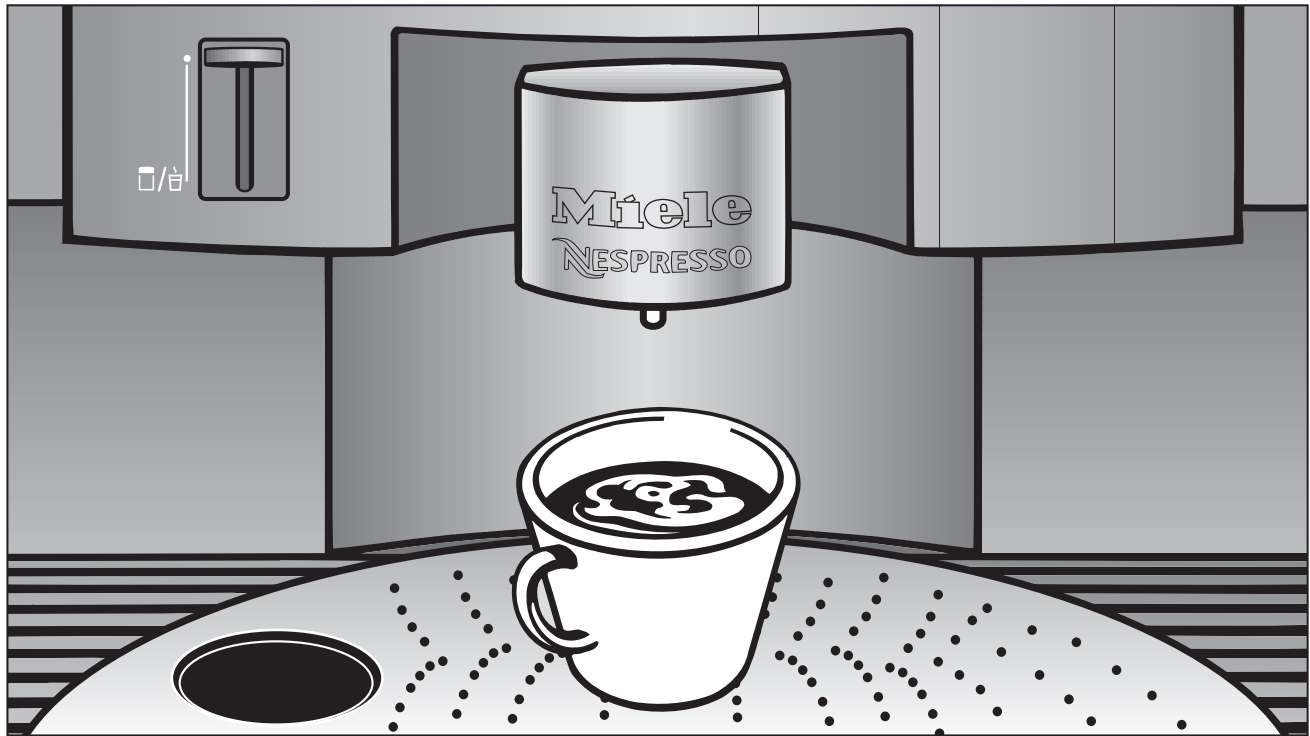


Miele

Operating instructions



Coffee System CVA 2650

To prevent accidents
and machine damage
read these instructions
before
installation or use.



M.-Nr. 06 541 610

| | |
|---|----|
| IMPORTANT SAFETY INSTRUCTIONS | 5 |
| Guide to the machine | 8 |
| Displays | 10 |
| First steps to use | 11 |
| Turning the machine on and off | 11 |
| Filling water and coffee capsules | 13 |
| Filling the coffee capsule carousel | 14 |
| Changing the coffee capsules | 14 |
| Allocating various coffee types | 15 |
| Making coffee | 17 |
| Espresso and coffee | 19 |
| Interrupting the brewing | 19 |
| Cappuccinatore (milk froth mug) | 20 |
| Dispensing hot water | 23 |
| Setting serving sizes | 24 |
| Setting a default serving size | 24 |
| Setting user profiles | 25 |
| Setting user profiles (serving sizes) | 26 |
| Making espresso / coffee with user profile | 26 |
| Settings | 27 |
| Selecting a language | 27 |
| Setting the time of day | 28 |
| Turning off after Standby time | 29 |
| Turning on at a preset time | 30 |
| Turning off at a preset time | 31 |
| Deleting the preset times | 31 |
| Setting lighting, display contrast and brightness | 32 |
| Automatic rinsing | 33 |
| Total coffee counter (INFO) | 35 |
| Factory setting | 35 |
| System lock | 36 |
| Daily coffee system care | 37 |
| Common coffee system care | 38 |
| Descaling the appliance | 43 |
| Descaling prompts | 45 |

Contents

| | |
|---|----|
| Fault messages | 46 |
| Frequently asked questions | 47 |
| Removing a jammed capsule | 54 |
| After sales service | 55 |
| Electrical connection | 56 |
| Installation | 57 |
| Installation options | 57 |
| Installation | 61 |
| Programming | 62 |
| Setting the language | 62 |
| Setting the water hardness | 63 |
| Coffee glossary | 64 |
| The Espresso range | 65 |
| The Lungo range | 66 |
| Caring for the environment | 67 |

IMPORTANT SAFETY INSTRUCTIONS

When using electrical appliances, basic safety precautions should always be followed, including the following:

Read all instructions before installation or use of the coffee system.

Please read these instructions carefully to prevent accidents and machine damage.

This appliance is for household use only. Use appliance only for its intended use. Any other use could be dangerous.

This appliance complies with current safety requirements. Improper use of the appliance can cause personal injury and material damage.

The manufacturer cannot be held responsible for damage caused by improper use of the appliance.

Electrical safety

■ Before connecting the appliance to the electrical supply make sure that the voltage and frequency details listed on the data plate correspond with the household electrical supply. If in doubt, consult a qualified technician.

■ The appliance must be properly installed before operation to ensure that no electrical components are accessible. Ensure that power is not supplied to the appliance while installation, repairs or maintenance work is performed.

■ Be certain your appliance is properly installed and grounded by a qualified technician. To guarantee the electrical safety of this appliance, continuity must exist between the appliance and an effective grounding system. It is imperative that this basic safety requirement be met. If there is any doubt, have the electrical system of the house checked by a qualified electrician. The manufacturer cannot be held responsible for damages caused by the lack or inadequacy of an effective grounding system.

■ Do not use an extension cord to connect the appliance to electricity. Extension cords do not guarantee the required safety of the appliance (danger of overheating).

■ This appliance is not designed for maritime use or for use in mobile installations such as recreational vehicles or aircraft. However, under certain conditions it may be possible for installation in these applications. Please contact the Miele Technical Service Department with specific requirements.

■ Before service or maintenance work disconnect the power supply by either removing the fuse, "tripping" the circuit breaker or unplugging the unit.

IMPORTANT SAFETY INSTRUCTIONS

Installation work and repairs should only be performed by a trained technician in accordance with national and local safety regulations. Repairs and other work by unauthorized persons could be dangerous.

Never open the outer casing of the appliance. Tampering with electrical connections or components and mechanical parts is dangerous and may cause machine damage.

If the machine is installed in combination with other appliances, it should be installed with a protective base between the appliance and the unit.

To protect against fire, electric shock and injury to persons do not submerge the cord or plug in water or any other liquid.

Do not let the cord hang over the edge of the table or counter, or touch hot surfaces.

Do not operate any appliance with a damaged cord or plug, or after the appliance malfunctions or has been damaged in any manner. Return the appliance to the nearest authorized Miele dealer for examination, repair or adjustment.

Always attach the plug to the appliance first, then plug the cord into the wall outlet. To disconnect, turn the machine off by pressing the left jog shuttle, then remove the plug from the wall outlet.

Use

Only use Nespresso-coffee capsules with this machine.

The coffee system must be cleaned daily to prevent the growth of harmful bacteria and mold. Please read the "Coffee system care" section of this booklet.

Caution! There is a risk of burns when dispensing hot beverages, they are extremely hot.

Do not touch hot surfaces. Use the jog shuttles or steam lever.

Children should not use the appliance unsupervised.
Danger of scalding!

This appliance must not be installed or operated outdoors.

To avoid injuries allow the coffee system to cool before cleaning or putting on or taking off parts. Turn the machine off at the main switch when not in use and before cleaning.

Only fill the water tank with cold, fresh tap water. Warm or hot water or any other liquids may damage the machine. The water should be changed daily to prevent bacteria or mold growth.

IMPORTANT SAFETY INSTRUCTIONS

■ The water lines must be rinsed and the machine cleaned thoroughly before the first coffee is prepared. See "Daily coffee system care".

■ The use of accessories not recommended by the appliance manufacturer may result in fire, electric shock or injury.

■ Do not reach into the perforator. Injuries may occur.

■ Do not use damaged, broken or dented capsules! They may jam in the machine and damage it.

■ The hot water and steam dispensed could cause scalding! Use these functions carefully. The machine must never be used to clean objects.

■ Never use a steam cleaner to clean the appliance. Pressurized steam could damage electrical components and cause a short circuit.

■ The coffee system must be descaled regularly with the supplied descaling tablets. In areas with very hard water the machine will need to be descaled more often. The manufacturer cannot be held responsible for damages resulting from insufficient descaling.

■ Only use the descaling tablets provided by Miele and be sure to use the correct mixture of water and descaler. Otherwise appliance damage may occur.

■ The capsule plate will soil more or less depending on the coffee capsule used. Clean the capsule plate every 1 to 2 months with a cleaning tablet, available from Miele.

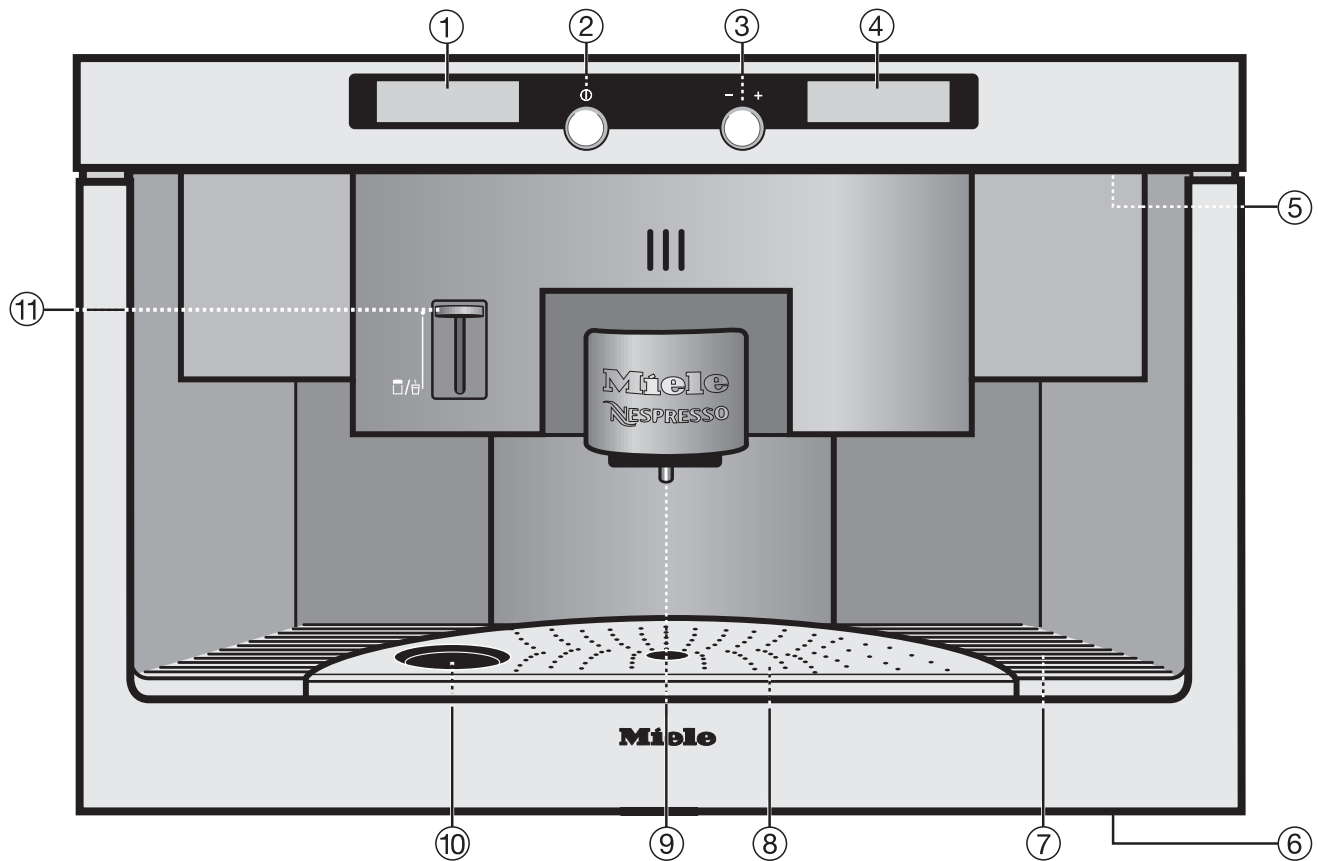
■ Do not hang, lean, sit or place heavy items on the door. The machine may be damaged.

■ Do not place the coffee system on or near a hot gas or electric burner, or in a heated oven.

SAVE THESE INSTRUCTIONS

Guide to the machine

Front view



① Left display

② Left jog shuttle

Press this jog shuttle to turn the machine on and off.

Turning it selects a desired program, option or setting.

③ Right jog shuttle

Press this jog shuttle:

- to start and stop the dispensing of coffee or hot water.
- to select an option to alter or customize a program.
- to save a setting into memory when the machine is turned off.

Turning it selects a desired program, option or a setting.

④ Right display

⑤ Upper door handle
(for installation at countertop height)

⑥ Lower door handle
(for installation at a higher level, e.g. upper cabinets)

⑦ Plastic drip grill

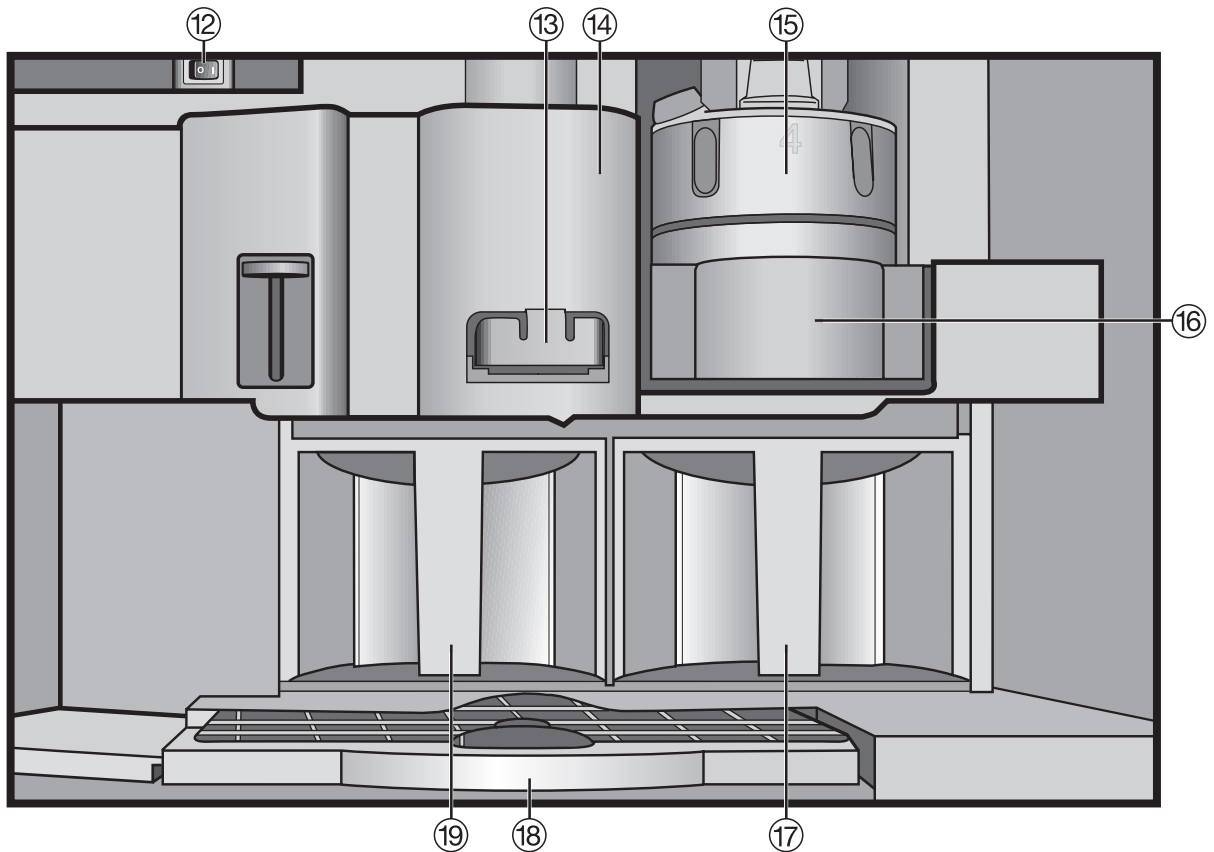
⑧ Metal drip catch

⑨ Coffee dispenser

⑩ Inset for Cappuccinatore

⑪ Valve / Lever for steam and hot water

Interior view



- ⑫ Main switch
- ⑬ Capsule plate
(replaced with the descaling funnel when descaling is performed)
- ⑭ Perforator
(not visible, penetrates capsule to assist in the brewing process)
- ⑮ Capsule carousel
- ⑯ Carousel tray
- ⑰ Water tank
- ⑱ Drip tray with grid
(grid avoids spilling during transport)
- ⑲ Waste container

Displays

Left display



- **Drink selection**
Up to 5 different coffee types ☕, as well as, steam ☕ and hot water ☕
- **User profile**
Up to 4 different users 👤
- **Important maintenance**
Rinsing 🚿, descaling Ⓢ
- **Selection of Settings** ⇄

Right display



- selects coffee or espresso
- shows current actions, e.g. heating
- prompts an action, e.g. close the door

Individual settings and information can be selected in the right hand display.

- 🚩 Language
- 🕒 Time
- ☕ Allocation of coffee type
- 👤 User name
- ⬠ Programming
- i** Total number of cups of coffee dispensed to date
- 👤 Maintenance
- 🏭 Reset to default settings

The selected option will be highlighted in the display.

Turning the machine on and off

The appliance must be correctly installed and connected before the first use.

Turning on

- Press the left jog shuttle.



When turned on for the first time, a welcome screen along with other messages will appear in the right display. The welcome screen will be displayed each time the machine is turned on until 5 drinks (including steam) have been prepared.



The displays light.

Turning off

- Press the left jog shuttle until the displays go dark.

If the automatic rinsing function is activated, both displays will go dark when turned off. If coffee was dispensed, the machine will be rinsed and "Machine Rinsing" will appear in the right display. When finished the machine will shut off completely.

First steps to use

Before using the coffee system for the first time

1. Clean the parts

- Hand wash the coffee capsule plate with hot water and liquid dish soap.
- The water tank can be washed in the dishwasher.

2. Fill the water tank

- Open the appliance door.
- Lift the water tank and pull it out.
- Fill the container with fresh, cold tap water to the "Max." mark. Push the water tank back into the machine.

3. Fill the system with water



- Set a cup under the steam valve.
- Turn the left jog shuttle to "Hot water".
- Press the right jog shuttle.

The steam valve dispenses hot water.

- Press the right jog shuttle again to turn the hot water off.
- Turn the left jog shuttle to "Heating with steam".
- Press the steam lever down.
- Push the steam lever up when steam starts to be dispensed.

The lines are filled and the coffee system is ready to use.

4. Rinse the lines

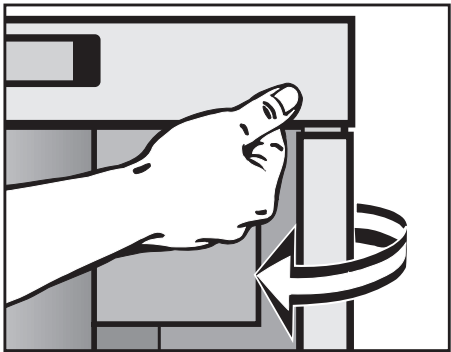


- Turn the left jog shuttle to "Rinse".
- Press the right jog shuttle.
Water runs from the coffee dispenser.
- Press the steam lever down.
Water runs from the steam valve.
- Push the steam lever up after a few seconds.

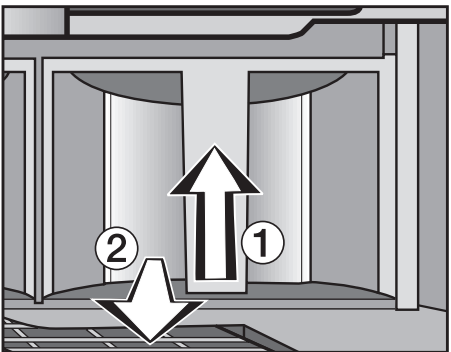
Filling the water tank

The water tank should be washed and filled with fresh cold tap water before each day of use.

Never put hot water or any other liquid except cold water into the water tank.



- Open the appliance door.



- Lift the water tank and pull it out.
- Fill the container with fresh, cold tap water to the "Max." mark.

A valve at the tank front prevents leaks.

- Push the water tank back into the machine.

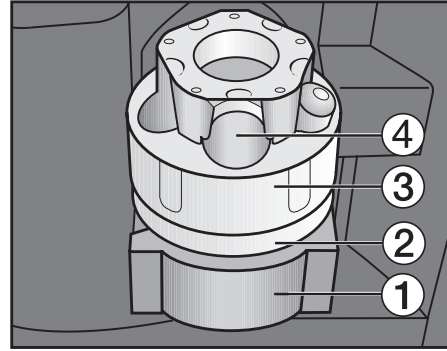
Filling water and coffee capsules

Filling the coffee capsule carousel

Only insert Nespresso coffee capsules in the carousel. Damaged, broken or dented capsules should not be used they may jam in the machine.

There are five chambers, each can hold four capsules. The coffee types have to be allocated to their respective chambers to get the desired coffee type. You can also fill each chamber with the same coffee type.

The chambers are factory set for a coffee type. Fill the chambers respectively or program other coffee types according to your preference. See "Allocating various coffee types".



- Pull the carousel tray, ①, all the way out.
- Take the carousel, ③, out.
- Insert the capsules into the chambers, ④, with the flat, silver side down.

Take care that the capsules sit loosely in the chambers so they do not jam.

- Insert the carousel into the carousel tray.
- Push the carousel all the way into the machine.
- Close the door.

The machine aligns the carousel automatically. A sound will be heard.

Changing the coffee capsules

- Pull out the carousel tray and lift out the carousel.
- Push the carousel ring, ②, up and take out the capsules.

Allocating various coffee types

Twelve different Nespresso coffee types are available for this coffee system. They differentiate in terms of acidity, fruitiness, bitterness and roast. Therefore the preparing times will vary.

See "The Espresso / Lungo range" for more information on the coffee types.

Allocating the coffee types

Five different coffee types can be filled in the five chambers of the capsule carousel. The chambers can be either allocated to the desired coffee types or filled with the same coffee type in all chambers.



- Turn the left jog shuttle to "Settings".



- Turn the right jog shuttle to the "Coffee bean" symbol. Press to confirm.



The upper line shows the coffee type, the lower line shows the chamber number. If no type is allocated to the chamber, the upper display line shows: **empty**.

Some coffee types are factory set, which you can either accept or change.

- Take the carousel from the machine to see which coffee type is filled in each chamber.



- Turn the right jog shuttle to the desired chamber and press to confirm.

Allocating various coffee types

Allocating different coffee types



- Turn the right jog shuttle to the desired coffee type and press to confirm it to that chamber.

Setting a new coffee type



- Turn the right jog shuttle to "save as" if no coffee type is allocated yet, to save a new coffee type or to name a coffee type yourself.
- Press the right jog shuttle.



The alphabet is displayed. Turn the right jog shuttle to the right to display the rest of the alphabet and the numbers 0 through 9.

To enter text

- Turn the right jog shuttle to the first letter or number and press to confirm. The selected letter shows in the upper line.
- Repeat until the desired name is entered.

To delete text


- If you made a mistake, turn the right jog shuttle until "delete" appears in the display.
- Pressing it deletes the last letter entered.
- Turn the right jog shuttle counterclockwise to the alphabet and continue entering the name.

Saving an entry



- When the entry is complete, turn the right jog shuttle until "OK" is displayed.
- Press to confirm.

The main menu is displayed, the last selected chamber is highlighted.

- To leave the menu turn the right jog shuttle to the "back" symbol  and press to confirm.

Not saving an entry

- If you do not want to save an entry turn the right jog shuttle until "back" is displayed. Press and the entry will not be saved.

Rinse the water lines before preparing the first drink of the day. If the "Automatic rinsing" option is set to "on" and the machine is still cold this will take place automatically. The heating system will heat and the water lines will be rinsed.

If the "Automatic rinsing" option is set to "off", use the option "Rinse" in the left display to rinse the lines. See "Daily coffee system care".

- Press the left jog shuttle to turn the machine on.



The left display lights.

The right display shows briefly:



This is a reminder to fill the water tank with fresh water.

The next message shows:



If the "Automatic rinsing" option is set to "on" (default setting) the next message shows:

The image shows a digital display with the text 'Rinsing in progress - please wait' in a white font on a dark background.

Water will run out of the coffee dispenser and a sound will be heard as the carousel aligns.

The right display shows:



Making coffee

Prewarming the cups

Prewarming the cups allows the coffee to fully develop the flavor and aroma.

Use caution. Steam and hot water are very hot.

- Place a cup under the steam / hot water valve.

To prewarm with hot water



- Turn the left jog shuttle to the "Hot water" option.
- Press the right jog shuttle and half fill the cup with hot water.
- Press the right jog shuttle again to stop the water from dispensing.
- Leave the cup for a few seconds to warm, then pour the water away.

To prewarm with steam



- Turn the left jog shuttle to the "Heating with steam" option.
- Press the steam lever down.

The steam supply is temporary. If the steam stops prematurely push the steam lever up then down again.

- Push the lever up to stop the steam from dispensing.
- Pour away any excess water.

Espresso and coffee

The flavor of the coffee depends on the coffee capsule and the quantity of water used. To ensure the machine uses exactly the amount of water to suit your taste and your cup size, there is a choice of four serving sizes for espresso / coffee.

Aside from the serving size, making coffee and espresso are done the same way.





- Place a cup under the coffee dispenser.



- Turn the left jog shuttle to the desired coffee type.



- Turn the right jog shuttle to the desired coffee or espresso size.

-  Espresso
-  Coffee
-  Double espresso
-  Double coffee

When selecting a double coffee or espresso, two capsules will be dispensed one after another. You can set the water amount to your taste. See "Setting the serving sizes".

- Press the right jog shuttle to confirm and the drink will be dispensed.

Interrupting the brewing

- Press the right jog shuttle to interrupt the coffee dispensing immediately.

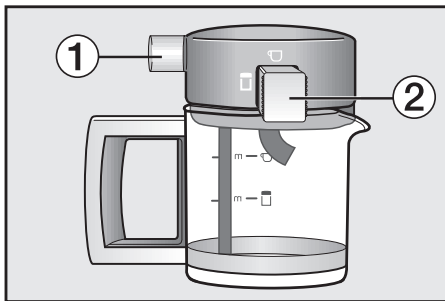
For coffee / espresso recipes see the "Coffee glossary".

Making coffee

Cappuccinatore (milk froth mug)

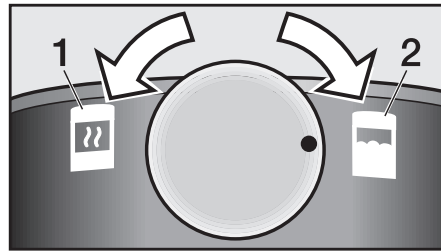
A cappuccinatore (milk froth mug) is supplied with the appliance.

Before using the cappuccinatore for the first time, wash it either in the dishwasher or with hot water and liquid dish soap.
See "Common coffee system care".



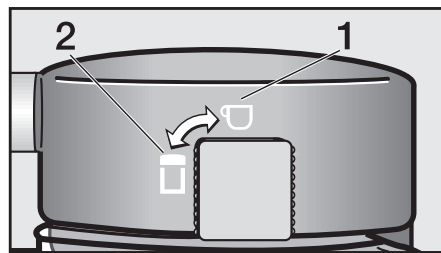
The cappuccinatore has a valve, ①, over the handle and a spout on its side, ②.

Cold, whole milk is best for creating froth. The higher the fat content, the better the froth.



The steam is regulated by turning the valve:

- 1 Hot milk is prepared
- 2 Froth is prepared



- Turn the spout so that the black dot points to the respective symbol.

Milk is frothed

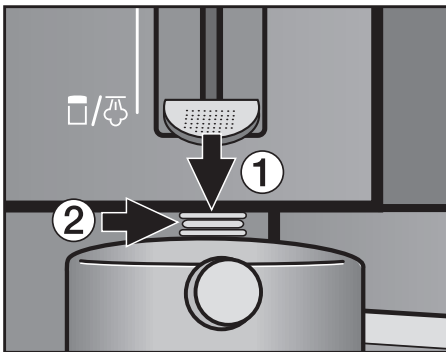
- 1 into the cup
- 2 into the cappuccinatore

When milk is frothed in the cappuccinatore the froth is hotter and has more volume.

When frothing milk into a cup while dispensing a coffee, the steam system must be turned on. See "Settings - Steam system".

Frothing milk into the cup

- Prewarm the cup before filling with froth.
- Fill the cappuccinatore to the **upper** "max" mark with cold milk.
- Turn the spout to the cup symbol.
- Turn the valve over the handle to the froth symbol.
- Place the cappuccinatore under the steam valve.
- Place a cup underneath the spout of the cappuccinatore.



- Press the steam lever, ①, down and "connect" the valve with the cappuccinatore, ②.

Ensure that the valve engages properly in the lower position.

Milk is frothed by the hot steam and dispensed into the cup.

- Turn the cappuccinatore valve to the right. Once the froth flows steadily, turn it to the left.
- Push the steam lever up when enough froth is prepared.

The steam supply is temporary. If the steam stops and there is not enough froth prepared, push the steam lever up then down again.

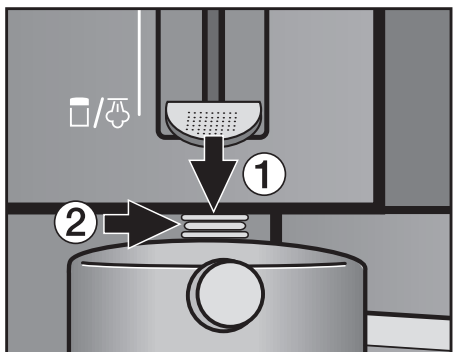
Making coffee

Frothing milk in the cappuccinatore

- Fill the cappuccinatore to the **lower** "max" mark with cold milk.
- Turn the spout to the cappuccinatore symbol.
- Turn the valve over the handle to the froth symbol.



- Turn the left jog shuttle to "Heating with steam".
- Place the cappuccinatore under the steam valve.



- Press the steam lever, ①, down to connect the valve with the cappuccinatore, ②.

Ensure that the valve engages properly in the lower position.

The milk will be frothed in the cappuccinatore.

- Push the steam lever up when the milk is frothed to the desired degree.

Rinsing the lid

For a quick cleaning between froths the cappuccinatore lid can be rinsed with the steam valve.

The rinsing **does not** replace the cleaning of the cappuccinatore in a dishwasher.

- Turn the spout to the cup symbol.
- Place the cappuccinatore under the steam valve.
- Place a cup under the cappuccinatore spout.



- Turn the left jog shuttle to "Rinse".
- Press the steam lever down.

The right display shows:

Rinsing cappuccinatore

The process will stop automatically when the lid is rinsed.

After use

At the end of each day, the lines of the coffee system should be rinsed.

See "Daily coffee system care".

Hot water

- Place a cup under the hot water / steam valve.



- Turn the left jog shuttle to "Hot water".
- Press the right jog shuttle to confirm.
- Press again to stop the water from dispensing.



Setting serving sizes

The flavor of the coffee depends on the coffee type and the quantity of water used. To ensure the machine uses exactly the amount of water to suit your taste and your cup size, there is a choice of two serving sizes for espresso / coffee.

☕ The **espresso** symbol dispenses a standard size espresso.

The espresso water amount can be set between 1 and 2.5 oz (30 and 75 ml).

☕ The **coffee** symbol dispenses coffee for a standard size coffee cup. It uses the same quantity of coffee as an espresso, but adds more water. The water amount can be set between 1 and 6 oz (30 and 175 ml).

The **double espresso**  and **double coffee**  symbols dispense two portions of espresso or coffee one after another. This requires two coffee capsules and double the amount of water set for a single coffee or espresso.

Setting a default serving size

Have the correct cups handy.

- Place the desired cup under the coffee dispenser.



- Turn the left jog shuttle to the desired coffee type.



- Select the drink you would like to program.



- Press and hold the right jog shuttle until "Program the amount" shows in the display.
- Release the jog shuttle.
- Press the right jog shuttle again when the cup is filled to the desired preference.

The programmed amount will now be dispensed every time the drink is selected.

The water flow stops automatically when it reaches the maximum amount possible (espresso 2.5 oz = 75 ml, coffee 6 oz = 175 ml).

The maximum water amount will then be saved for the drink selected.

Setting the user name

Up to four different user profiles can be programmed to accommodate different preferences and serving sizes. See "Setting serving sizes".



- Turn the left jog shuttle to "Settings".



- Turn the right jog shuttle to the "User name" symbol, then press to confirm the selection.



- Turn the right jog shuttle to the desired user and press to enter a user name.



The alphabet is displayed. When turning the jog shuttle to the right, the rest of the alphabet and the numbers 0 through 9 are shown.

To enter text

- Turn the right jog shuttle to the first letter or number and press to confirm. The selected letter shows in the upper line.
- Repeat until the desired name is entered.


To delete text

- Turn the right jog shuttle until "delete" appears in the display.
- Pressing the jog shuttle deletes the last letter entered.
- Turn the jog shuttle counterclockwise to the alphabet and continue entering the name.

Saving an entry



- When the entry is complete, turn the jog shuttle until "OK" is displayed. Press to confirm.

The display shows the main menu. The "back" symbol  is selected.

- Press the right jog shuttle to get to the main display menu.

Not saving an entry

- Turn the right jog shuttle until "back" is displayed.
- Press the jog shuttle and the entry will not be saved.

Setting user profiles

Setting user profiles (serving sizes)


In addition to the default, different serving sizes can be programmed for four additional users.



- Turn the left jog shuttle to "Profile".



- Turn the right jog shuttle until the desired user name is selected. Press to confirm.

The  symbol will appear in the upper right hand corner of the left display to show that a user profile has been selected.

- Proceed as if setting a default serving size. All water quantities will now apply for the selected user.

Making espresso / coffee with user profile


If a user profile was set, select the profile first before preparing a drink.



- Turn the left jog shuttle to "Profile".



- With the right jog shuttle select the user. Press to confirm.

The user symbol  will be shown in the upper right hand corner of the left display to signify that a user was selected.

- Place a cup under the coffee dispenser.



- Turn the left jog shuttle to the desired coffee type.



- Turn the right jog shuttle to the desired coffee / espresso size.
- Press to confirm and the drink will be dispensed.

The coffee system can be customized to suit individual preferences.

Selecting a language



- Turn the left jog shuttle to "Settings".



The language symbol is selected in the right display.

- Press the right jog shuttle to select the language option.



- Turn the right jog shuttle until the desired language shows in the display.

A check marks the selected language.

Selectable languages: English US and GB, German, French, Dutch, Italian, Spanish, Portuguese, Turkish, Swedish, Norwegian, Danish, Finnish, Polish, Czech, Hungarian, Greek and Russian.

- Press the right jog shuttle to select the language option.

The setting will be automatically saved and the display will go back to the previous screen.

All displays will now appear in the selected language.

If a language is accidentally selected, follow the flag to return to the language setting.

Settings

Setting the time of day



- Turn the left jog shuttle to "Settings".



The language symbol is highlighted in the right display.



- Turn the right jog shuttle to the clock symbol, press to confirm.



- Press the right jog shuttle again.



- Turn the right jog shuttle to select the time format, press to confirm.



- Turn the right jog shuttle to select the hours, press to confirm.



- Turn the right jog shuttle to select the minutes, press to confirm.



The setting will be automatically saved and the display will go back to the previous screen. Two symbols for preset times now be will shown.

Turning off after Standby time

To conserve energy the coffee system can be set to turn off automatically after a programmed time interval.

A time period between 20 minutes and 2 hours can be selected. The time is measured from the last time coffee / espresso was dispensed.



- Turn the left jog shuttle to "Settings".



- Turn the right jog shuttle to the clock symbol, press to confirm.



- Turn the right jog shuttle to "SWITCH OFF AFTER". Press to confirm the setting.



- Turn the right jog shuttle until the desired turn off time is set, press to confirm.

The setting will be automatically saved and the display will go back to the previous screen. The coffee system will turn off at the preset time.

If rinsing is set to "on" and the machine has been used, the coffee system will automatically rinse the lines before turning off.

Settings

Turning on at a preset time

A specific time can be set to turn the machine on, e.g. for breakfast. In order to use this function the clock has to be set.



- Turn the left jog shuttle to "Settings".



- Turn the right jog shuttle to the clock symbol, press to confirm.



- Turn the right jog shuttle to "Switch on at" (this will only be seen if the clock is correctly set).
- Press the jog shuttle to confirm the setting.



- Turn the right jog shuttle to set the hours, press to confirm.
- Turn the right jog shuttle to set the minutes, press to confirm.

The setting will be automatically saved and the display will go back to the previous screen. The coffee system will turn on at the preset time.

If rinsing is set to "on", the coffee system will automatically rinse the lines when turned on.

If the coffee system automatically turns on three times and no beverage is dispensed, the machine will not turn on automatically after that. The preset times will remain saved and will be activated when the machine is manually turned on again. This is a safety measure so that the machine does not turn on daily during a longer absence.

Turning off at a preset time

A specific time can be set to turn the coffee system off. In order to use this function the clock has to be set.



- Turn the left jog shuttle to "Settings".



- Turn the right jog shuttle to the clock symbol, press to confirm.



- Turn the right jog shuttle to "Switch off at" (this will only be seen if the clock is correctly set). Press to confirm the setting.



- Turn the right jog shuttle to set the hours, press to confirm.
- Turn the right jog shuttle to set the minutes, press to confirm.

The setting will be automatically saved and the display will go back to the previous screen. The coffee system will turn off at the preset time.

If rinsing is set to "on" and the machine has been used, the coffee system will automatically rinse the lines before turning off.

Deleting the preset times

- Repeat the steps to set the preset time until you are prompted to set the actual time of day.
- Turn the jog shuttle until only dashes are shown in the second line of the display.
- Press the right jog shuttle to confirm.

Settings

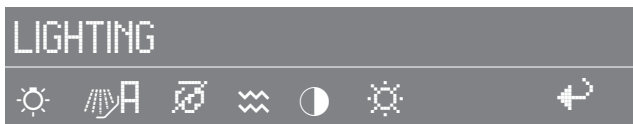
Setting lighting, display contrast and brightness



- Turn the left jog shuttle to "Settings".



- Turn the right jog shuttle to the "Programming" symbol, press to confirm.



- Turn the right jog shuttle to the desired option:
Lighting ☀, Display contrast 🌑,
Display brightness ☀.
- Press to confirm.

A bar shows in the display.

- Turning the right jog shuttle counterclockwise, reducing the bar size, will decrease the lighting, display contrast and brightness.

- Turning the right jog shuttle clockwise increases the bar size and brightens the settings.

- Press the right jog shuttle to save the settings.

The display shows the previous screen. The "back" symbol ↶ is selected.

- Press the right jog shuttle to display the main menu.

Automatic rinsing

The rinsing feature flushes out coffee residue and pre-warms the coffee system. When "Automatic rinsing - on" is selected the system will automatically be rinsed when the appliance is turned on or off. "Heating - up please wait" is shown in the display. If this feature is set to "Automatic rinsing - off" the system will only be flushed and pre-warmed when selected manually.

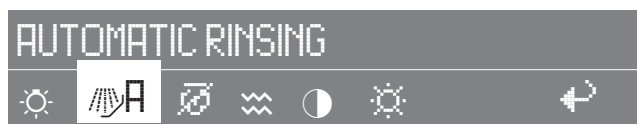
- Place an empty cup under the coffee dispenser.



- Turn the left jog shuttle to "Settings".



- Turn the right jog shuttle to the "Programming" symbol, press to confirm.




- Turn the right jog shuttle to the "Automatic rinsing" option. Press to confirm.



- Turn the right jog shuttle to select "on" or "off", press to confirm.

A check marks the current setting.

It is recommended to set this option to "on" so that the rinsing process will not be forgotten.

The display now shows the main screen. The "back" symbol  is selected.

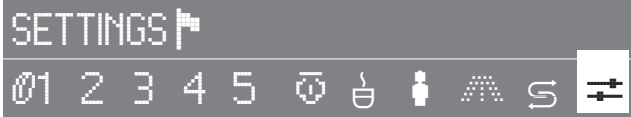
- Press the right jog shuttle to return to the main display menu.

Settings

Steam system

To conserve energy, the steam system can be turned off if steam is not used all the time.

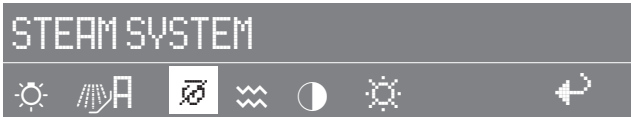
Residual heat may allow the machine to dispense some steam when the steam system is turned off. Use caution.



- Turn the left jog shuttle to "Settings".



- Turn the right jog shuttle to the "Programming" symbol, press to confirm.




- Turn the right jog shuttle to the "Steam system" option. Press to confirm.



- Turn the right jog shuttle to select "on" or "off".

A check marks the current setting.

- Press the right jog shuttle to save the settings.

The display now shows the previous screen. The "back" symbol  is selected.

- Press the right jog shuttle to return to the main display menu.

Total coffee counter (INFO)

If the option "Info" is selected, the display will show the number of cups of coffee dispensed to date (espresso, coffee, double espresso / coffee).



- Turn the left jog shuttle to "Settings".



- Turn the right jog shuttle to the "Info" symbol, press to confirm.

The number of coffees already dispensed will appear in the display.

- Press the right jog shuttle to return to the main screen of the display.

Factory setting

This option allows you to reset all saved settings to the factory default.



- Turn the left jog shuttle to "Settings".



- Turn the right jog shuttle to the "Factory default" symbol.
- Press to confirm.



- Turn the right jog shuttle to select "reset".



- Select "back" to go back to the previous screen without changing the settings in the memory.
- Press to confirm.

System lock

The coffee system can be locked so that it cannot be used by children or those not familiar with the operating instructions.

Locking the coffee system

- Turn the coffee system off by pressing the left jog shuttle.



- Turn the right jog shuttle until the display shows "System lock".
- Press to confirm.



- Turn the jog shuttle to "on" and press to activate the system lock.

The appliance is now locked and will not operate. The system will remain locked and the lighting will remain turned off even if the jog shuttles are turned.

When the jog shuttles are pressed or turned the display shows:



Unlocking the coffee system

- Follow the steps for "Locking the coffee system" but select "off" to deactivate the system lock.

The appliance is now unlocked and ready for use.

Turn the machine off at the main switch before cleaning.

Allow the coffee system to cool before cleaning. Danger of burns!

Do not clean the unit with a steam cleaner.

Never use abrasive cleaning agents. These will damage the machine.

Rinse

If you do not wish to rinse the lines automatically, they have to be flushed manually. It is recommended that the machine is rinsed twice daily, once before using the machine and once before turning it off for the day.

- Place a cup under the coffee dispenser and the steam valve.



- Turn the left jog shuttle to "Rinse".
- Press the right jog shuttle.
Water runs from the coffee dispenser.
- Press the steam lever down.
Water runs from the steam valve.
- Push the steam lever up after a few seconds.

The lines are rinsed. Drinks can either be prepared now or the machine may be turned off.

The following components of the coffee system should be cleaned after each day of use to prevent mold and bacteria growth.

Dishwasher safe

- Water tank
- Drip tray with grid
- Metal drip catch
- Cappuccinatore (if used)

Hand wash only with hot water and liquid dish soap

- Plastic drip catch

Common coffee system care

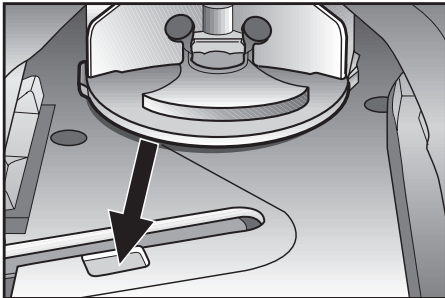
Interior

- Clean all interior parts and areas of the machine with a solution of hot water and liquid dish soap. See below for more details.

Capsule carousel and tray

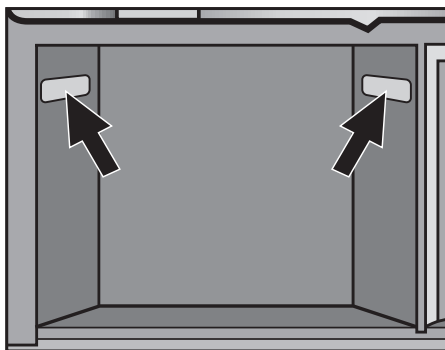
- Pull out and remove. Both pieces are dishwasher safe.

Capsule carousel niche



- Clean the sensor in the carousel tray niche. Dry with a soft cloth. The carousel chambers are read by the sensor.

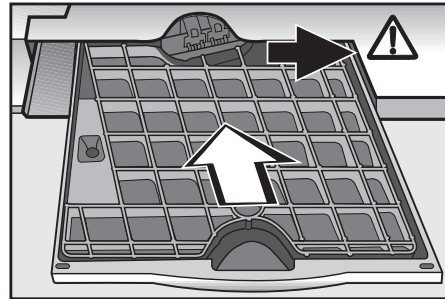
Waste container niche



- Clean the sensors, left and right, in the waste container niche. The sensors read if the waste container is inserted and if it needs to be emptied.

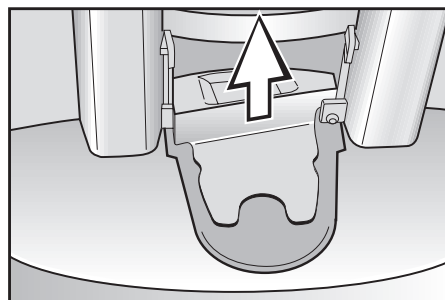
Drip tray

- Clean and dry the metal contacts at the back of the drip tray. If the contacts are soiled or wet the unit cannot read when the drip tray is full and needs to be emptied.



- Push the drip tray, with the grid inserted, along the right hand side of the opening and to the back of the machine. Close the door.

Coffee dispenser cover

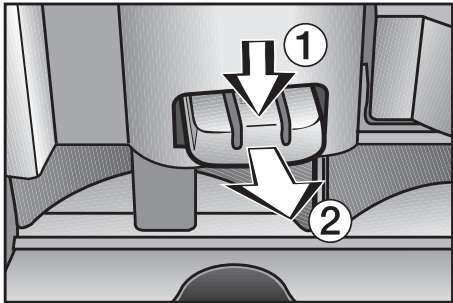


- Push in and up to remove. Cover is dishwasher safe.

Capsule plate

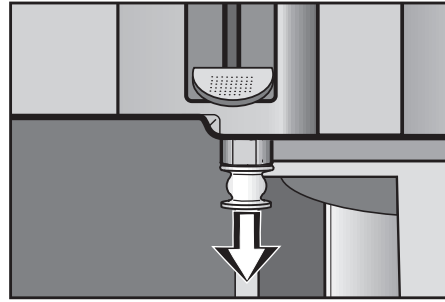
The capsule plate will soil more or less depending on the oil content of the coffee capsule used.

Clean the capsule plate as necessary or when the machine needs to be descaled with the supplied cleaning tablets. The cleaning tablets can be purchased from Miele.



- Press the checkered part, ①, down and pull the capsule plate, ②, out.
- Dissolve one cleaning tablet in hot water.
- Place the capsule plate in the solution and let it soak for one hour.
- Rinse thoroughly and dry the capsule plate.
- Insert the capsule plate into the machine until it clicks.

Steam valve



- Press the steam lever down and pull off the rubber sleeve.
- Clean the rubber sleeve and the steam valve tip with a mild solution of water and liquid dish soap.
- Reattach the rubber sleeve firmly on the steam valve tip.
- Push the steam lever up before closing the door or else it may get damaged.

Common coffee system care

Exterior

The front of the appliance can be cleaned with a sponge and a solution of warm water and non abrasive liquid dish soap. Dry with a soft cloth.

Only use a slightly damp sponge when cleaning the controls. Water could penetrate into the electronics and cause damage.

Wipe any spills from descaling immediately!

Stainless steel surfaces

Stainless steel surfaces can be cleaned using a non-abrasive stainless steel cleaner.

To help prevent soiling, a conditioner for stainless steel can also be used. Apply sparingly with even pressure.

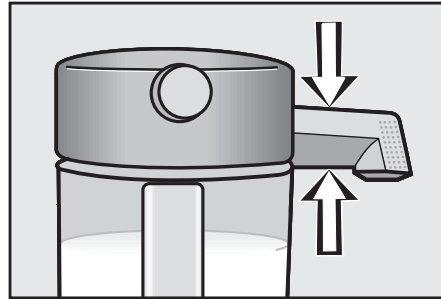
Jog shuttles

Clean the jog shuttles with a sponge and a solution of warm water and liquid dish soap.

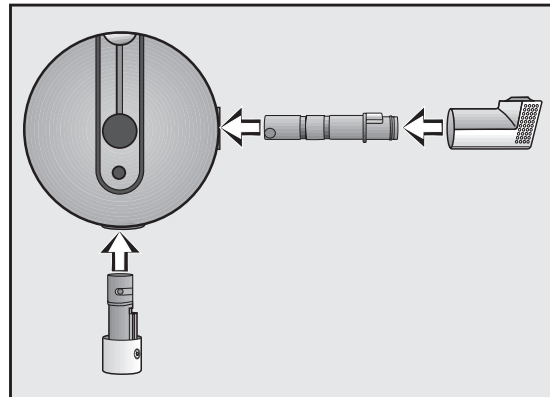
- These jog shuttles may become discolored or damaged if not cleaned regularly. Do not use a stainless steel cleaner on the jog shuttles.

Cappuccinatore

Clean the cappuccinatore after every use, otherwise it may become blocked with dried milk and hard to clean.

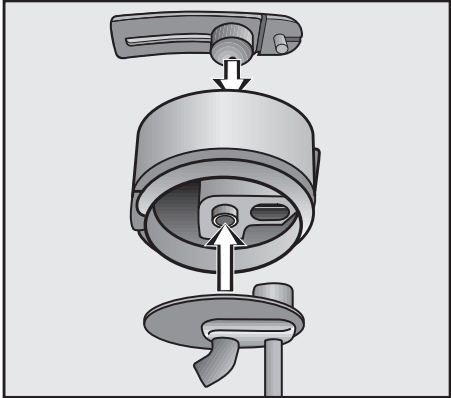


- Press the spout together from the top and bottom to pull out the two pieces of the spout together. See below.



- Take the cappuccinatore apart and clean.

Common coffee system care



- Reassemble the lid as shown in the graphics.
- Be sure that the valve sits above the cappuccinatore handle. Otherwise the frothing process will not work.

Maintenance

The perforator should be changed after 15000 cups of coffee / espresso. The perforator can be purchased from Miele.

It is recommended to contact the Miele Service department for assistance in performing this maintenance task.



- Turn the left jog shuttle to "Settings".



- Turn the right jog shuttle to "Maintenance".



- Press the right jog shuttle and turn it to "carry out".
- Press the right jog shuttle.

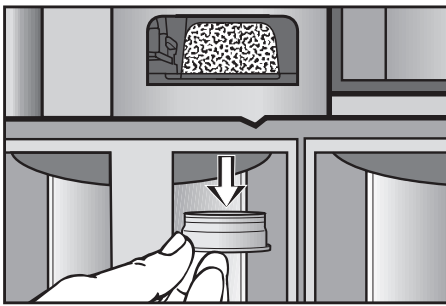
Common coffee system care

The right display goes dark and the appliance is now lowering the perforator.

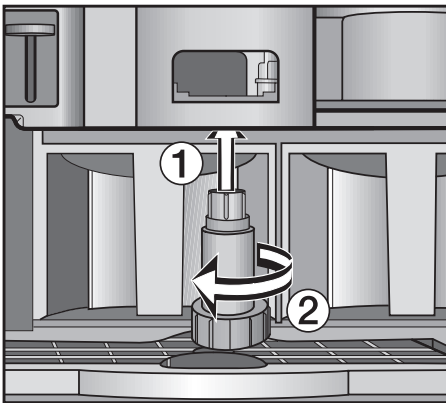
Remove capsule plate and change the capsule hopper

- Open the appliance door.
- Pull out the capsule plate.

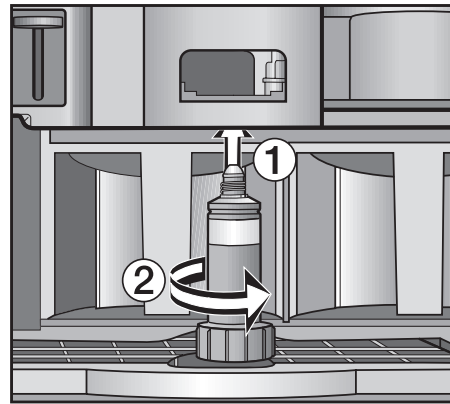
⚠ Do not reach up into the perforator opening. Danger of injury!



- Pull the rubber disc top, down and out.




- Insert the tool for removing the perforator up into the unit, ①. Turn it to the left, ②, to loosen and remove the perforator.



- Screw the new perforator firmly into the unit. The spring and ball bearing must be inserted in the perforator opening so that the ball bearing is on top.
- Insert the rubber disc from the bottom up (with the funnel pointing downwards).
- Insert the capsule plate and close the door.

Descaling the appliance

The coffee system must be descaled regularly. The time period depends on the water hardness set. The appliance will display a reminder message and will eventually lock if not descaled.

Once the system is at the point where only 50 drinks can be prepared before descaling must be performed, the display will show "50 no. of uses until descaling has to be done". This message will appear and countdown after each drink. When the count is to zero, the coffee system will lock and the left display will show "Descale" . The right display will show "confirm to start".

The appliance can only be used again once descaling is performed.

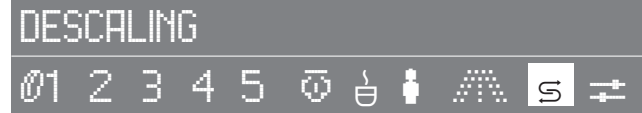
Only use the enclosed descaling tablets for descaling. The descaling tablets are specially designed for this coffee system. The descaling tablets can be purchased from your local Miele dealer or Miele. Other agents may damage the machine and affect the taste of coffee and hot water.

Be sure that the correct mixture of descaling agent and water are used to prevent damage to the machine.

To prevent damage to the exterior **wipe up any descaling solution spills immediately!**

Thoroughly clean the **water tank and the drip tray of descaling residue.**

Descaling



- Turn the left knob to the "Descaling" symbol.

Confirm to start

- Press the right jog shuttle to start the descaling process.

The descaling cannot be interrupted once the right knob is pressed.

This is a safety feature to ensure the process will be completed. Descaling is important to increase the life of the machine and to ensure the best results possible.

Descaling the appliance

The right display will prompt you through the single steps of the descaling process.

Follow these prompts.

See "Descaling prompts" for more information.

Do not skip any steps and do not remove a part unless prompted by the display. This will cause the program to fault and descaling will restart.

At the beginning of the descaling program there will be a delayed start to allow the tablets to completely dissolve.


If the machine has not sufficiently cooled after use to begin the descaling program the delay start time will be extended.

A pump will introduce a small amount of descaling solution into the system then rest briefly to allow the solution to take effect. The right display indicates how long the process will take.

Descaling prompts

For clarification regarding the prompts see the following:

Please add descaling agent to the water container

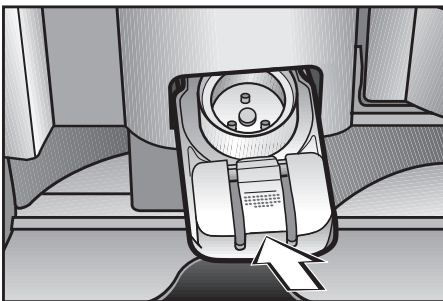
- Remove the water tank.
- Fill the water tank with cold tap water to the  mark. If not filled to the mark, descaling will be prematurely canceled.
- Dissolve two of the enclosed descaling tablets in the water tank.
- Close the water tank and insert it into position.

Please use the waste container

- Take the waste container from the interior and set it under the coffee dispenser and steam valve.

Please use descaling funnel and close the door

- Open the door and remove the capsule plate.



- Insert the colored funnel into the capsule plate opening.

Please empty drip tray (and waste container)

- Since the machine is also rinsed inside, the drip tray needs to be emptied to continue.
- Also empty the waste container at this time.

Please fill with fresh water

- Take the water tank out, rinse out any descaling residue thoroughly with water.
- Fill with fresh water to the "Max." mark and reinsert the tank.

Fault messages

If an error occurs a fault message will appear in the right display. Minor problems can be fixed without a service call.

| Message | Possible fault | Solution |
|--|--|---|
| Chamber empty - please refill | The selected coffee chamber is empty. | Fill with coffee capsules. |
| Please fill with fresh water | This is a reminder to fill the water tank with fresh water when the machine is turned on. | |
| Please set the time of day | The machine was disconnected from the power supply and the time of day needs to be reset. | Set the time of day. |
| Empty drip tray and clean contacts | The drip tray is full and/or the metal contact sensors on the tray are soiled. | Empty and clean the drip tray. Clean and dry the contacts. |
| Please use descaling funnel and close the door | The capsule plate needs to be taken out and replaced by the descaling funnel. | Remove the capsule plate and insert the colored funnel. |
| Please insert capsule plate | The capsule plate or perforator are missing or the descaling funnel is still in the machine. | Insert the capsule plate or perforator. |
| Please insert carousel | The carousel is missing or the sensor under the carousel tray is soiled. | Insert the carousel and clean the sensor with a cloth. |
| Please open the valve | Steam cannot be supplied if the steam valve is closed. | Press the steam lever down. |
| Please close the valve | The steam lever is still pressed down. | Push the steam lever up. |
| Maintenance required | The perforator needs to be replaced after about 15,000 cups of coffee. | Turn the left jog shuttle to "Settings". Turn the right jog shuttle to maintenance and change the perforator (see "Common coffee system care - Maintenance"). |
| Confirm to start | The selected process is prompted to start. | Press the right jog shuttle. |
| Confirm to continue | The descaling needs to be continued. | Press the right jog shuttle. |
| Empty | A coffee chamber was selected which has not been allocated to a coffee type. | Allocate a type of coffee to the chamber. |
| No. of uses until descaling has to be done | The machine counts the number of drinks made before descaling has to be carried out. Once this number reaches zero, the machine locks until the descaling process has been successfully completed. | Descal the machine (see "Descaling the appliance"). |

Frequently asked questions

Repairs to electrical appliances should only be carried out by a suitably qualified person in accordance with local and national safety regulations. Repairs and other work by unqualified persons could be dangerous. The manufacturer cannot be held responsible for unauthorized work.

Machine Problems

What if the light does not illuminate when turned on?

- | | |
|--|---|
| <ul style="list-style-type: none">– Is the unit locked? | <ul style="list-style-type: none">– If not, the light bulb has burnt out. Contact the Miele Service Department. |
| <ul style="list-style-type: none">– Is the lighting set too low? | <ul style="list-style-type: none">– Adjust the lighting. |

What if the display messages are difficult to read?

| | |
|--|---|
| The contrast or brightness of the displays are too low / high. | Adjust the display contrast / brightness. |
|--|---|

What if there is no prompt in the display?

| | |
|------------------------|---|
| The unit has no power. | <ul style="list-style-type: none">– Is the main switch turned off?– Is the machine plugged in?– Check that the fuse is not defective. If so contact the Miele Service Department. |
|------------------------|---|

What if the unit suddenly turns off?

- | | |
|--|---|
| <ul style="list-style-type: none">– Is the machine plugged in?– Is the machine programmed to switch off after a programmed time?– The water temperature may be too high. | <ul style="list-style-type: none">– Plug the machine in.– The machine turns off into standby mode when not used for the programmed time.– The unit is blocked until the water has cooled. |
|--|---|

Frequently asked questions

What if the light turns suddenly off?

The light turns off automatically when the machine has not been used for 10 minutes.

What if the door cannot be opened or closed?

The steam lever is not pushed up all the way.

Press the lever down and then up again all the way.

What if the time of day needs to be reset?

If the machine was unplugged or a power failure occurred.

Reset the time of day.
The preset times for turning on or off automatically are saved in the memory and do not need to be reset.

What if despite the empty drip tray a message to empty it shows up?

- The contacts are soiled.
- The drip tray is not inserted correctly.

- Clean and dry the contacts.
- Insert the drip tray correctly.
- Turn the machine off and on again with the main switch.
- If the message still appears contact Technical Service.

What if the machine does not rinse when turned on although the automatic rinsing function is set to "On"?

- If the coffee system has still a temperature of 140 °F (60 °C) or higher, the machine will not be rinsed.

Preparing / dispensing problems

What if no drink is prepared although there are coffee capsules and water in the tank?

Take out the water tank and then insert it again.

What if no coffee is prepared although water is in the tank and coffee capsules are in the carousel?

A coffee capsule is jammed in the carousel.

- Open the appliance door.
- Pull the carousel tray out, lift out the capsule carousel and make sure all capsules can move easily.
- Insert the carousel in the tray and push it all the way in.
- Close the door.

What if no hot water or steam is dispensed from the steam valve?

- Take out the water tank and then insert it again.
- If still no or little water is dispensed the steam valve is clogged.
- Open the appliance door.
 - Press the steam lever down and pull off the rubber sleeve.
 - Using the small end of the provided tool unscrew the top of the steam valve counterclockwise.
 - Clean the tip and screw it on again.

Frequently asked questions

What if the steam heating system is turned off but steam can still be dispensed?

Steam can be dispensed as long as the steam heating system is warm.

Once cooled the system will no longer dispense steam.

What if the steam smells like rubber?

The rubber odor will wear off with time and usage.

What if the cappuccinatore dispenses no frothed milk?

- Is the spout turned to the side so that froth can only be prepared in the cappuccinatore?
- Are the valve and the froth dispenser of the cappuccinatore properly inserted in the lid?
- Are any single parts of the cappuccinatore clogged?

- Turn the spout to the cup.
- See "Common coffee system care - Cappuccinatore".
- Clean the cappuccinatore.

What if the coffee dispensing is interrupted?

If a double espresso / coffee was selected the machine uses two coffee capsules.

Dispensing is interrupted when the carousel chambers are empty. Refill coffee capsules.

Coffee results

What if the dispensed coffee has some ground coffee in it?

The capsule plate is soiled.

Clean the capsule plate.

What if the water flow stopped when programming the serving size?

- If the maximum water amount is reached, the water dispensing stops automatically. The maximum water amount is saved.
- There was not enough water in the tank. The dispensed water amount will not be saved.

- Refill the water tank and reset the serving size.

What if the preparing time and amount of coffee is very different?

Depending on coffee type the grinding level will differ between coarse and fine. Preparing time and amount will vary.

What if the espresso / coffee is not hot enough?

- Check if the capsule plate is clogged.

- Clean the capsule plate.
- Prewarm the cup.

What if water is in the waste unit?

This is residual water from the cleaning process. Pour water away.

What if "coffee water" is in the waste unit?

The capsule plate is not inserted all the way.

Take the capsule plate out and insert it again.

What if the coffee is too thin?

- Check the water amount saved in the memory per coffee.
- After 15,000 cups of coffee the perforator needs to be replaced.

- Adjust if necessary.
- See "Common coffee system care - Maintenance" after checking the coffee counter.

Frequently asked questions

Descaling problems

What if the descaling process was started accidentally?

The descaling process cannot be interrupted once the right jog shuttle is pressed. The process now needs to be completed as a safety measure. Descaling is important to increase the life of the machine and to ensure the best results possible.

What if the preheating time is increased, the water flow amount is not correct and the unit performs less?

The machine needs to be descaled.

See "Descaling the appliance".

"F" messages

What if F 10 shows?

- | | |
|---|---|
| <ul style="list-style-type: none">– No water can be pumped from the water tank.– F 10 also shows, if the water tank was not filled correctly during descaling. | <ul style="list-style-type: none">– Fill the system with water. See "Before using the coffee system for the first time".– Remove and reinsert the water tank.– Refill to the mark and restart descaling.– If the message still shows, contact Technical Service. |
|---|---|

What if F 42 or F 45 shows briefly in the right display when the machine is turned off?

| | |
|---|--|
| There is a slight fluctuation in the electrical supply. | Call Technical Service if the message appears regularly. |
|---|--|

What if F 72 shows?

| | |
|---|---|
| A coffee capsule has jammed above the waste unit. | <ul style="list-style-type: none">■ Open the appliance door.■ Remove, empty and return the waste unit.■ Close the door.■ If the message still shows, see "Removing a jammed capsule - From the carousel tray". |
|---|---|

What if the message F 75 or F 76 shows in the display?

| | |
|------------------------------|--|
| A coffee capsule has jammed. | <ul style="list-style-type: none">■ Open the appliance door.■ Remove, empty and return the waste unit.■ If the message still shows, open the appliance door and follow the prompts in the right display. See "Removing a jammed capsule from the capsule plate". |
|------------------------------|--|

What if any other fault messages "F" appear in the display?

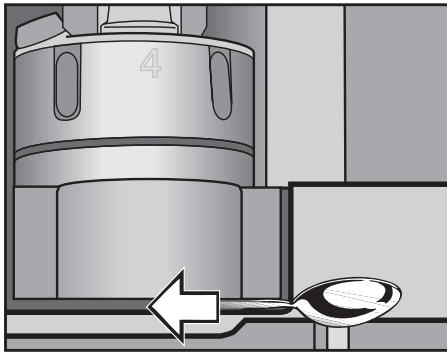
Call the Miele Technical Service Department.

Removing a jammed capsule

⚠ Turn the machine off at the main switch in the upper left corner. Danger of electric shock. The machine must be turned off before performing the next steps.

From the carousel tray

- Open the appliance door.
- Turn the machine off at the main switch.



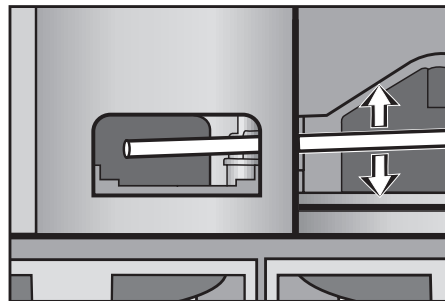
- Insert a spoon handle underneath the carousel tray on the right side. Move the spoon handle with care to the left side.
- Pull out the carousel and remove the coffee capsule.
- Throw out the capsule so it does not jam again. It may be damaged or dented.
- Remove the tray by pulling it completely out then pushing it up slightly. Clean the area underneath it, making sure to wipe clean the sensor. Reinsert the tray.
- Turn the machine on at the main switch.
- Close the door.
- If the message still appears call Technical Service.

From the capsule plate

- Take the carousel and the capsule plate out.



- On the right side of the capsule plate is an opening. Check if a coffee capsule has jammed in there or further up in the unit.



- Remove the coffee capsule **only** with a wooden spoon handle.
- Reinsert the capsule plate and the carousel in the tray platform.
- Turn the machine on at the main switch.
- Close the door.
- If the message still appears contact Technical Service.

In the event of a fault which you cannot easily fix yourself, please contact the Miele Technical Service Department at the address on the back of this booklet.

When contacting the Technical Service Department, please quote the model and serial number of your appliance given on the data plate inside the appliance.

MieleCare

MieleCare, our Extended Service Contract program, gives you the assurance of knowing that your appliance investment is covered by 5 years of worry free ownership.

MieleCare is the only Extended Service Contract in the industry that guarantees repairs by a Miele Authorized Service Provider using genuine Miele parts. Only genuine Miele parts installed by factory trained professionals can guarantee the safety, reliability, and longevity of your Miele appliance.

Please note that unless expressly approved in writing by Miele's Service department, Extended Service Contracts offered by other providers for Miele products will not be recognized by Miele. Our goal is to prevent unauthorized (and untrained) service personnel from working on your Miele products, possibly doing further damage to them, you and/or your home.

To learn more about **MieleCare** Extended Service Contracts, please contact your appliance dealer or visit us online at:

www.store.miele.com

Electrical connection

The coffee system comes equipped with a 6 ft. (1.8 m) power cord with a NEMA 5-15P molded plug for connection to a 120 V, 15 A, 60 Hz power supply.

Connection should be made via a suitable isolator, with an on-off switch which should be easily accessible for servicing work.

Installation, repairs and other work by unqualified persons could be dangerous. The manufacturer cannot be held responsible for unauthorized work.

Verify that the voltage, load and circuit rating information found on the data plate match that of the household electrical supply before installing the coffee system.

If there is any question concerning the electrical connection of this appliance to your power supply, please consult a licensed electrician or call Miele's Technical Service Department.

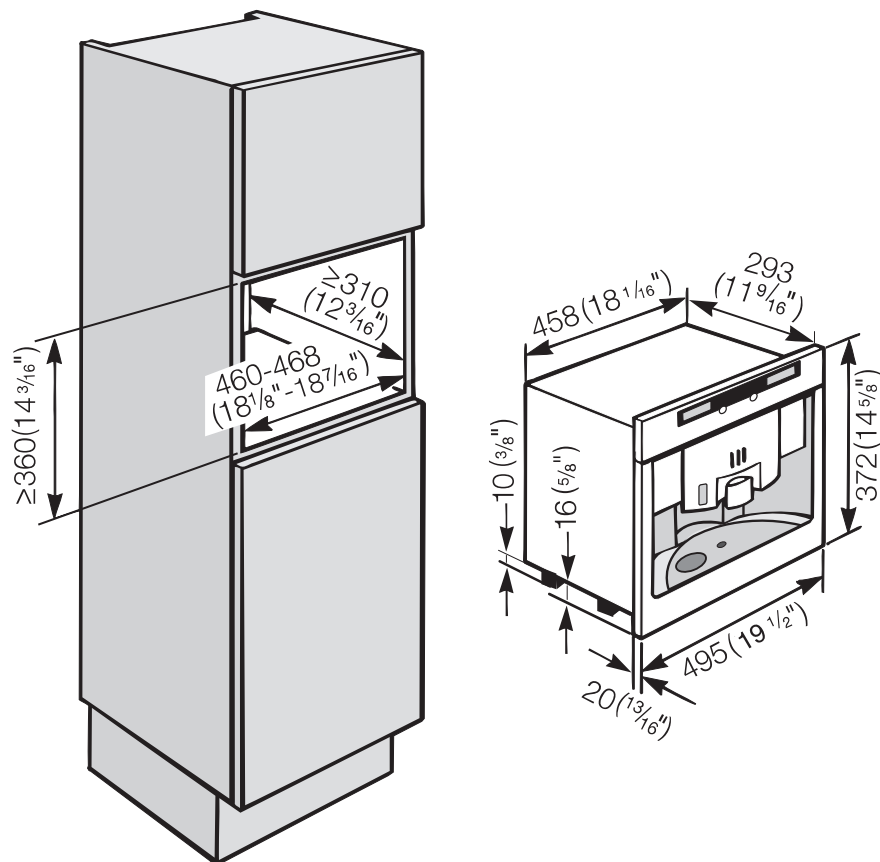
USA 1-800-999-1360

CDN 1-800-565-6535

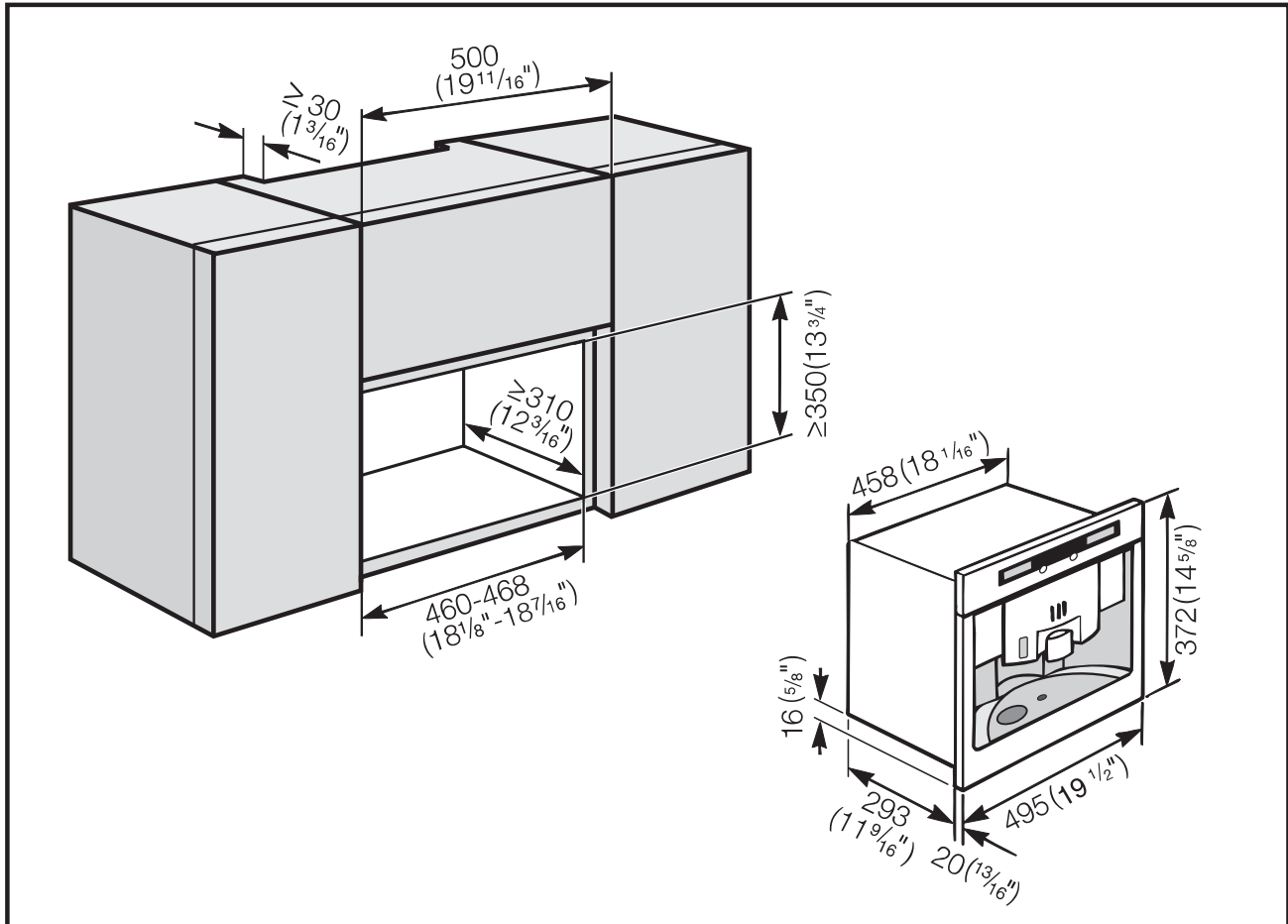
Installation options

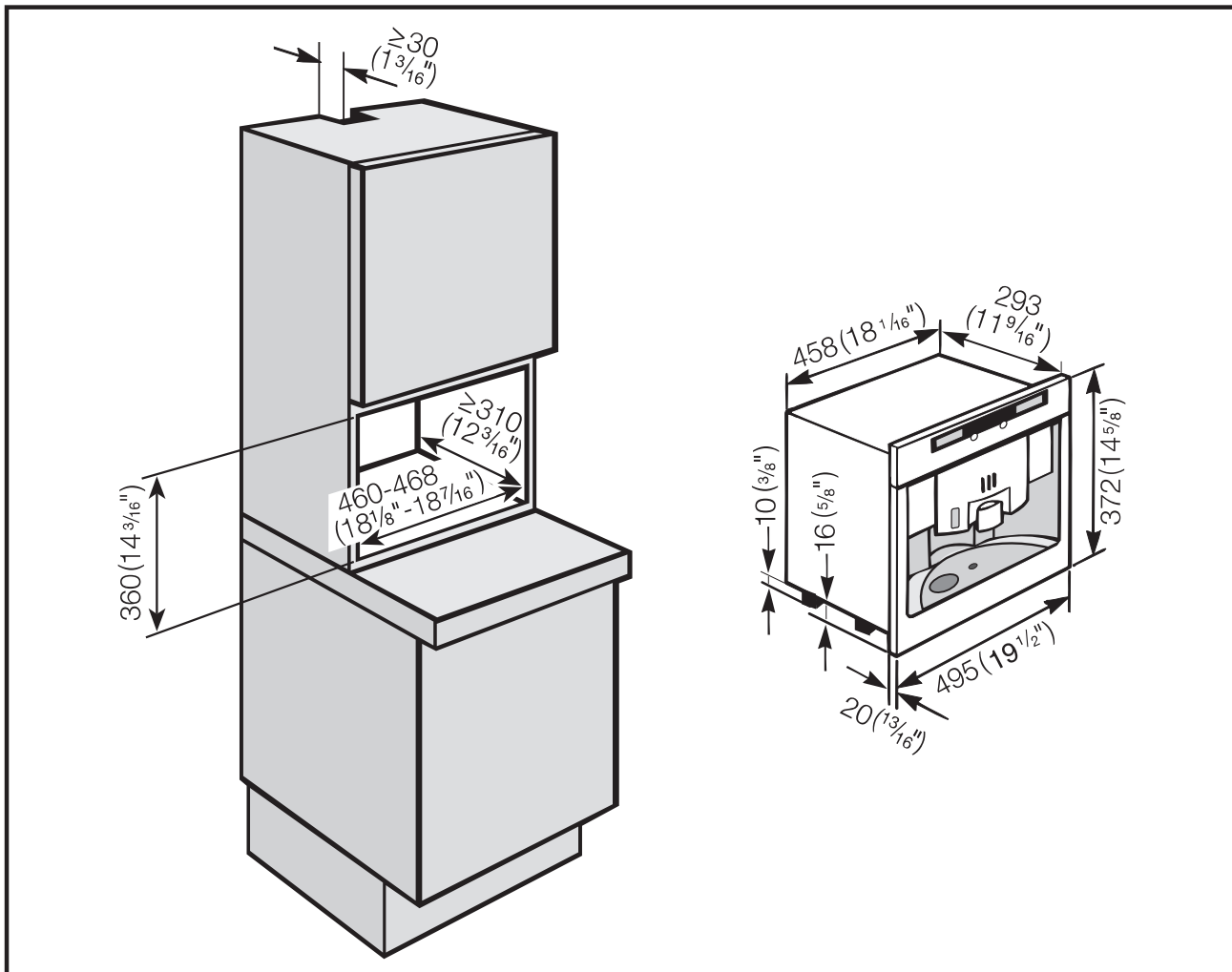
A countertop option for the CVA 2650 is possible with the **CVSG 50** casing.

The coffee system is designed to be built into cabinetry.

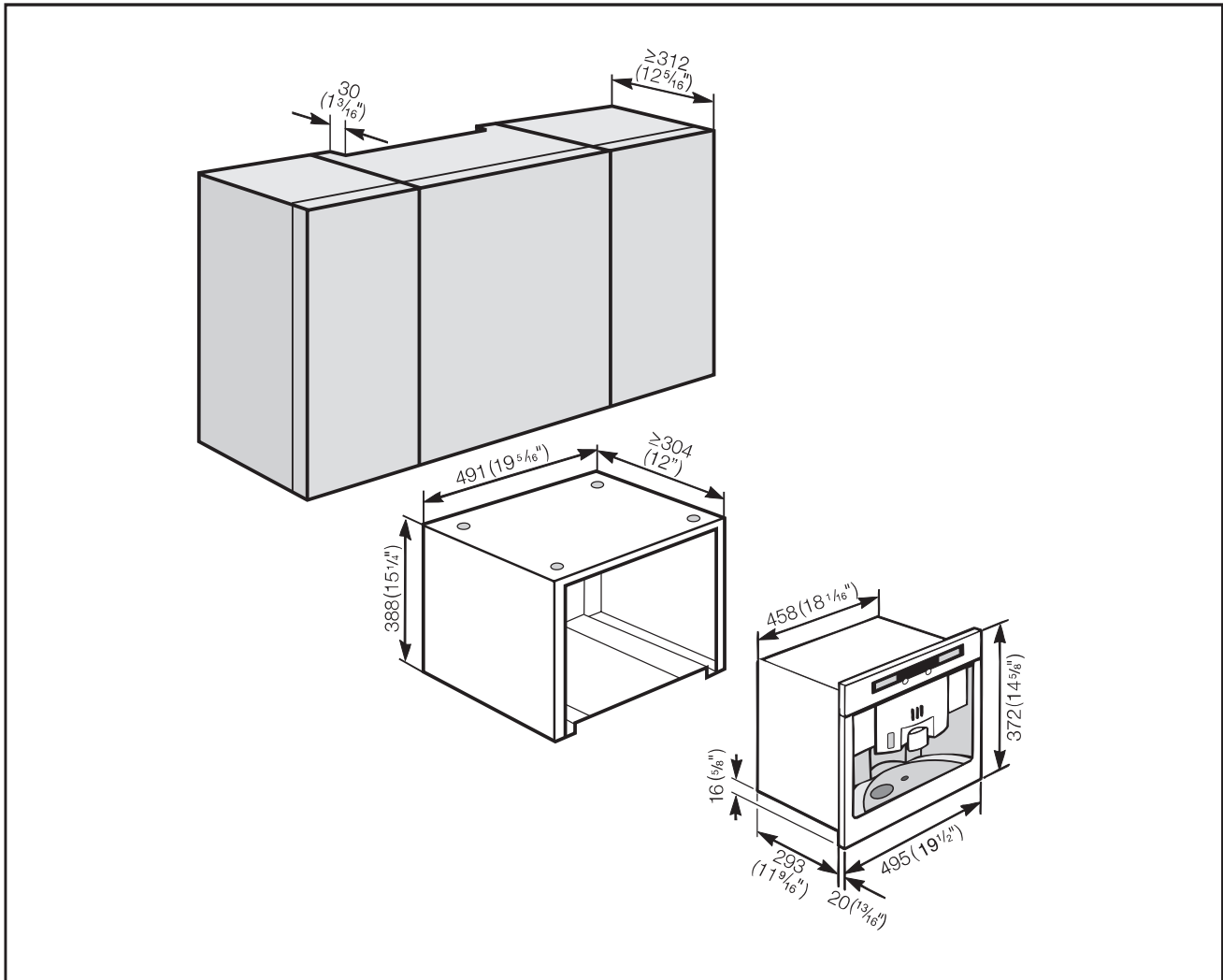


Installation





Installation

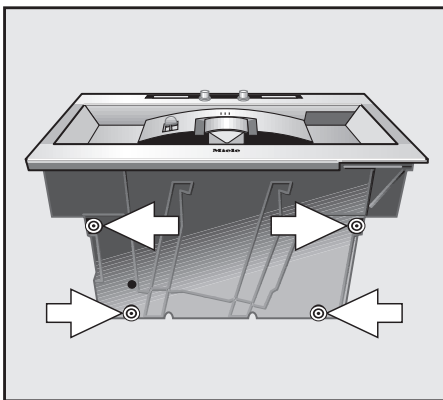


To install the CVA 2650 below a hanging cabinet a **CVUG 50** casing (optional accessory) is required.

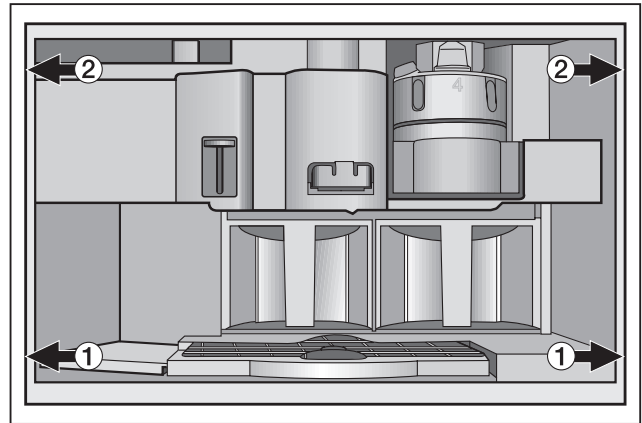
Installation

Make sure power is not supplied to the appliance while installation or maintenance work is performed. Disconnect the power supply to the work area by unplugging the unit, tripping the circuit breaker or removing the fuse. The coffee system must be properly installed before being used.

- Plug the appliance into the electrical outlet.
- If you have a cabinet with $\frac{3}{4}$ " (19 mm) side panels, you will need to drill four holes first.
 - Center the machine in the cabinet.
 - Tighten the screws just so they leave a mark in the panel.
 - Remove the machine from the cabinet and drill four holes $\frac{1}{16}$ " (2 mm) with a diameter of $\frac{3}{16}$ " (4.5 mm).



- Level the machine with the four height adjustable feet. The feet can be turned out up to $\frac{3}{8}$ " (10 mm).
- Push the appliance all the way back into the cabinet.



- Open the door and partially tighten the screws by hand. Do not use an electric screwdriver.
- Carefully turn the lower screws to center the machine.
- To fix the machine in the cabinet, tighten the upper screws.

Installation

Programming

The appliance must be correctly installed and connected before the first use.

Setting the language

- Press the left jog shuttle to turn the machine on.



When turned on for the first time, a welcome screen as well as other messages will appear in the right display. The welcome screen will be displayed each time the machine is turned on until 5 drinks (including steam) have been prepared.



The displays light.

You will then be prompted to select a language.

- Turn the right jog shuttle until the desired language shows in the display.
- Press the right jog shuttle to confirm.

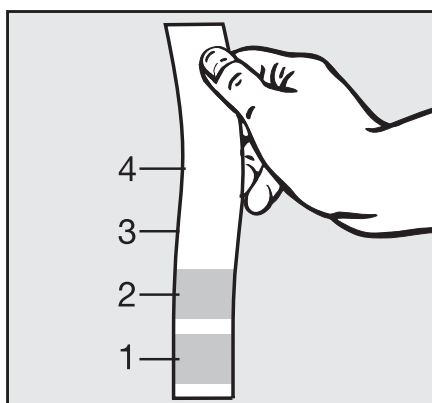
To turn off the machine

- Press and hold the left jog shuttle until the displays go dark.

Setting the water hardness

The hardness of the water used in the coffee system must be determined and programmed into the appliance. The water hardness will determine how frequently the unit must be descaled to properly maintain the coffee system. The machine monitors the volume of water passing through it in conjunction with the hardness of the water and will indicate when descaling is necessary.

Your local water authority can inform you of the hardness of your tap water or you can measure the hardness yourself using the enclosed test strip.



- Dip the strip into your tap water for one second, then shake off any excess water. The result will be evident after one minute.

If your water hardness is greater than 40 gr/gal (700 ppm), the water **must** be mixed in equal parts with non-carbonated mineral water to prevent excessive lime scale build up. **Never** use distilled water.

| Program setting | Water Hardness | gr/gal | ppm |
|-----------------|---------------------------|--------------------|-----------|
| Hardness 1 | 1 (soft) | 0 - 3 | 0 - 130 |
| Hardness 2 | 1 (soft) | 4 - 7 | 130 - 250 |
| Hardness 3 | 2 (medium) | 7 - 14 | 250 - 380 |
| Hardness 4 | 3 (hard) 4 (very hard) | 14 - 21 over 21 | over 380 |

To adjust or set the water hardness



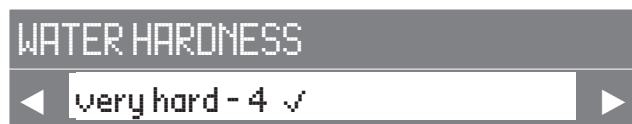
- Turn the left jog shuttle to "Settings".



- Turn the right jog shuttle to the "Programming" symbol, press to confirm.



- Turn the right jog shuttle to the "Water hardness" symbol, press to confirm.



- Turn the right jog shuttle to set the water hardness.

A check marks the current setting.

- Press the right jog shuttle to save the setting.

The display now shows the main screen. The "back" symbol  is selected.

- Press the right jog shuttle to return to the main display menu.

Coffee glossary

Caffè is the Italian term for a standard espresso.

Caffè americano is a thin espresso with water added.

Caffè corretto is espresso with a splash of liquor.

Caffè freddo is iced coffee. An extended version of espresso served with ice.

Caffè latte is a double espresso in a large cup filled with hot milk, topped with little or no foam.

Caffè moca consists of equal parts of espresso, hot milk and cocoa.

Caffè ristretto is the strongest most concentrated espresso. The water is reduced to 2 tablespoons (30 ml) per serving.

Caffeine - the caffeine content of espresso is only a third or half of that found in coffee. The stronger the roast, the less caffeine the espresso will contain.

Cappuccino is espresso with frothed milk. It is equal parts of espresso, hot milk and foam.

Cappuccino chiaro is a "light" cappuccino with less espresso and more hot milk.

Cappuccino scuro is a "dark" cappuccino with more espresso and less hot milk.

Cappuccino senza schiuma is a cappuccino without the froth.

Crema is the sign of the perfect cup of espresso - a fine, nut or cinnamon brown foam on the surface of the espresso, which is only created when the pressure is sufficiently high. The crema contains the foamed oils which are rich in flavor and aroma.

Espresso, see Caffè.

Espresso corto is a "short", strong espresso.

Espresso doppio is a double portion of normal espresso.

Espresso lungo is the longer, less concentrated version served in a standard coffee cup.

Espresso ristretto is a double strength, bitter tasting espresso.

Macchiato is espresso with a dollop of hot, foamed milk giving a dappled (macchiato) appearance.

Pre-warming the cup is recommended to prevent the espresso from cooling too quickly.

Ristretto (black)

is the typical Italian espresso. It is a short, strong, full-bodied espresso with a touch of acidity. It has a pleasantly lingering taste.

Strength: 10

Ideal cup size: Ristretto, Espresso or Cappuccino

Arpeggio (dark purple)

is a Mediterranean blend par excellence with a strong character, intense body and long exquisite after-taste. Its thick, smooth crema remains to the last sip.

Strength: 9

Ideal cup size: Ristretto, Espresso or Cappuccino

Roma (dark gray)

With its sweetness and its woody notes, Roma is the ideal coffee for a short espresso that is not too strong.

Strength: 8

Ideal cup size: Ristretto or Espresso

Decaffeinato Intenso (brick red)

An intense, rich taste with slightly elevated acidity gives this decaffeinated coffee all the strength of a true espresso.

Strength: 7

Ideal cup size: Espresso or Cappuccino

Livanto (copper brown)

A very well balanced blend, Livanto is characterized by a dense and velvety aroma. It is a uniquely rounded espresso.

Strength: 6

Ideal cup size: Espresso or Lungo

Capriccio (dark green)

is a full-bodied espresso, which is also creamy, mild and rich. Its crema is very dense, and so delicate that it reflects the light.

Strength: 5

Ideal cup size: Espresso

Volluto (yellow gold)

Lightly roasted but full-bodied, Volluto's flavor is round and fresh with a cereal hint. Volluto's character is reinforced by a touch of acidity.

Strength: 4

Ideal cup size: Espresso

Cosi (dark brown)

is perfect for espresso lovers who enjoy a mild, smooth crema coupled with the refreshing acidity of a hint of lemon.

Strength: 3

Ideal cup size: Espresso or Lungo

Decaffeinato (red)

This is the lighter and creamier decaffeinated blend, offering a rich and delicate balance between mildness and acidity. Decaffeinato's crema is distinguished by its hazel color and consistent texture in the mouth.

Strength: 2

Ideal cup size: Espresso or Lungo

The Lungo range

Vivalto (sky blue)

is an intense Lungo which combines a beautifully roasted note with a subtle floral note. With its noticeable crema and mild aroma, it is also delicious prepared with milk.

Strength: 6

Ideal cup size: Lungo

Decaffeinato Lungo (coral)

delivers a smooth body and a fine roundness in the mouth. Its sustained roasting reveals flavorful grilled notes.

Strength: 5

Ideal cup size: Lungo

Finezzo (butter yellow)

Extremely balanced, Finezzo is a mellow, gently fruity blend that blossoms within its light body. Its character is reinforced by a hint of acidity.

Strength: 4

Ideal cup size: Lungo

Disposal of packing material

The cardboard box and packing materials protect the appliance during shipping. They have been designed to be biodegradable and recyclable. Please recycle.

Ensure that any plastic wrappings, bags, etc. are disposed of safely and kept out of the reach of children.
Danger of suffocation!

Disposal of an old appliance

Old appliances may contain materials that can be recycled. Please contact your local recycling authority about the possibility of recycling these materials.

Ensure that the appliance presents no danger to children while being stored for disposal. Before discarding an old appliance, unplug it from the outlet, cut off its power cord and remove any doors to prevent hazards.

When contacting the Technical Service,
please quote the model and serial number
of your appliance.

The Miele logo consists of the word "Miele" in a bold, white, serif font, set against a solid black rectangular background.

Miele, Inc. (USA)

National Headquarters

9 Independence Way
Princeton, NJ 08540
Phone: 800-843-7231
609-419-9898
Fax: 609-419-4298
www.miele.com

**Technical Service & Support
Nationwide**

Phone: 800-999-1360
Fax: 888-586-8056

Miele Limited (CDN)

National Headquarters

55G East Beaver Creek Road
Richmond Hill, ON L4B 1E5
Phone: 800-643-5381
905-707-1171
Fax: 905-707-0177
www.miele.ca
info@miele.ca (general enquiries)
professional@miele.ca (commercial
enquiries)

Mielecare National Service

Phone: 800-565-6435
905-850-7456
Fax: 905-850-6651
service@miele.ca (Tech. Service)